

MS-226M-3






MS-226M-3

Reed Sensor M6 metal thread

Electrical Characteristics		@ 25 °C
Contact form		A
Contact rating max.	W / VA	10
Switching voltage max.	VDC	200
	VAC	140
Switching current max.	A	1
Carry current max.	A	1.2
Breakdown voltage min.	VDC	240
Total resistance max. (initial)	mΩ	650
Insulation resistance min.	Ω	10 ¹⁰

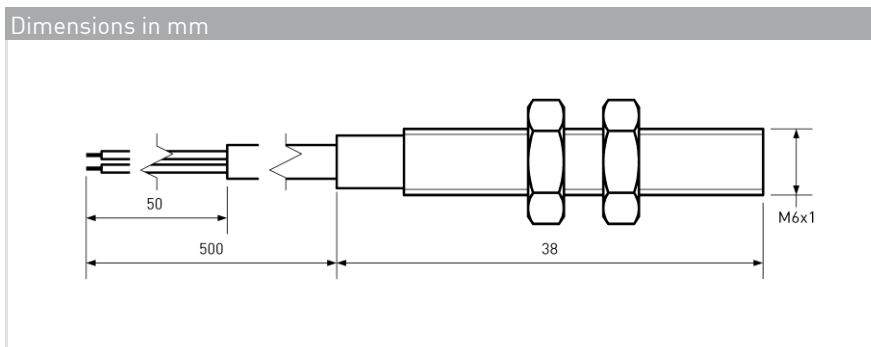
Features
➤ Adjustable switching point
➤ Metal housing with M6 thread
➤ Mechanically protected
➤ Various sensitivity ranges available

Magnetical Characteristics (of unmodified Reed Switch)		@ 25 °C
Pull in range available	AT	10 - 25
Drop out min.	AT	4
Test coil	TC	014
Test equipment tolerance	± AT	2

Approvals




Operating Characteristics (of unmodified Reed Switch)		@ 25 °C
Switching frequency max.	Hz	500
Resonant frequency typ.	Hz	4000
Operate time max. (incl. bounce)	ms	1
Release time max.	ms	0.4

Environmental Characteristics	
Operating temperature	°C -20 to +85
Vibration (50-2000 Hz)	g 20
Shock (1/2 sin 11 ms)	g 100



Ordering Information	
Packing Unit	25 pcs
Weight per piece	12.5 g
Weight per package	330 g
Standard AT Ranges	
	1 = 10 to 15 AT
	2 = 15 to 20 AT
	3 = 20 to 25 AT
Ordering Example	
MS-226M-3-2 describes MS-226M-3 with 15 to 20 AT.	

MS-226M-3



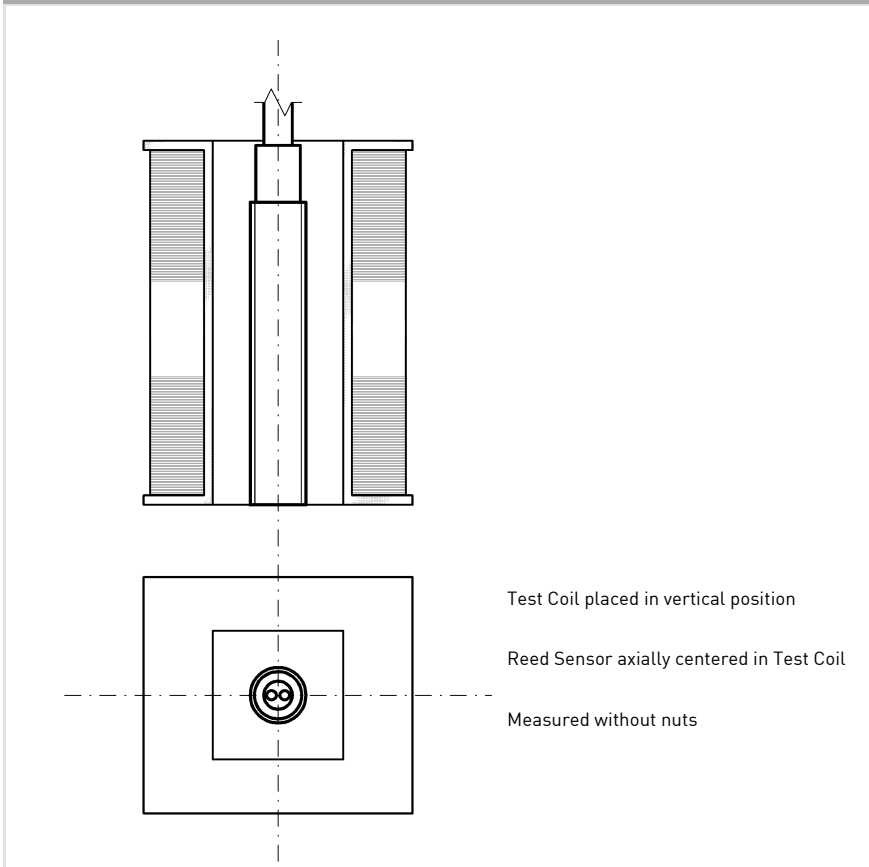
MS-226M-3

Reed Sensor M6 metal thread

Material Information

	Material	Colour
Housing	Brass, Nickel plated	
Cable	UL 2095, AWG 28, 50mm dismantled, 4mm stripped and tinned	Jacket: black, wires: black and red
Potting compound	Epoxy	black
Nuts	Brass, Nickel plated, M6, 2 pcs separately packed	

Test Procedure of final Reed Sensor



Test Parameters

Test coil	TC-324
Test programs	
AT range	Test program
1 =	MS-226M-3-1
2 =	MS-226M-3-2
3 =	MS-226M-3-3

Remarks

When mounted onto ferromagnetic parts switching distance of MS-226M-3 may reduce.
Electromagnetical influences and magnetic fields may change the switching behaviour of the sensor.